

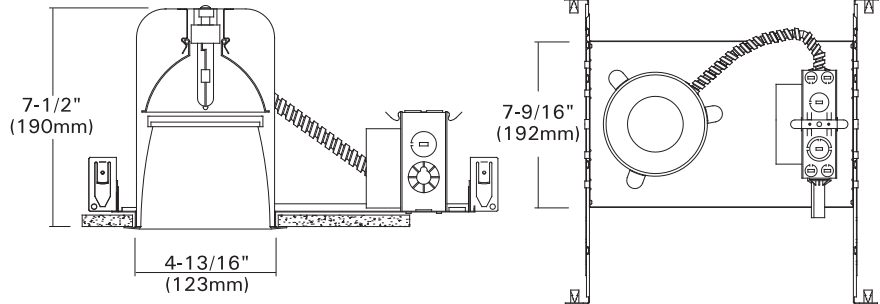
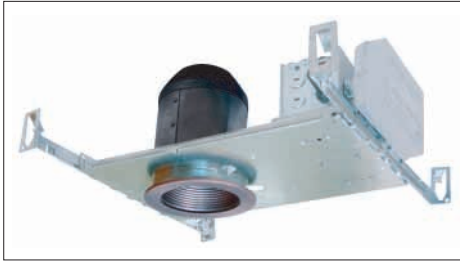
# DL-4400TH

## 4" Housing For

### T4.5 CMH Lamp

Catalog #		Type
Project		Date
Prepared by		

## METAL HALIDE



### DESCRIPTION

The DL-4400TH is a 4" aperture housing flat frame with upper reflectors for various beam spreads for general and task lighting. A vertical T4.5(G8.5 base) ceramic metal halide lamp, provided electronic ballast on J-box.

### DESIGN FEATURES

Ceiling Cut-out : 5"  
Lamp, Max, Watt. : 70W T4.5

#### ◦ Housing

- C-UL listed, NON-IC, round steel housing for vertical T4.5 G8.5 base ceramic metal halide lamps.
- Housing adjust for ceiling up to 1-3/4" thickness.

#### ◦ Junction Box

- Listed for through branch circuit wiring.(Max.8 No 12 AWG 90°C branch circuit conductors. (4 in, 4 out)
- (5)1/2" knockouts with true pry-out slots and (4) knockouts with Romex cable clamp.
- Ground wire provided on J-box.

#### ◦ Bar Hangers

- 24" Bar Hangers provide stability and support on joists and T-Bar Grid ceilings.
- Housing can be positioned at any point within 24" joist span.
- Score lines allow "toolless" shortening for 12" joists. Bar hangers may be repositioned 90 degrees.
- Integral T-bar clips snaps onto T-bars and no additional clips are required.

#### ◦ Upper Reflector

- Clear anodized high quality aluminum.
- Changeable reflector for narrow, medium & wide beam spreads.

#### ◦ Lower Reflectors

- Anodized clear, gold, champagne, pewter color finished aluminum.

#### ◦ Trim Ring

- White steel ring or plated chrome, satin nickel, natural steel color ring.

#### ◦ Socket

- G8.5 base Bi pin socket.

#### ◦ Lamp Shield

- Heat sink aluminum cup, vertically adjustable multiple lampholder positions.

#### ◦ Electronic Ballast

- 120 and 277 volts for 50/60Hz operation high power factor class A sound rated.

#### ◦ Thermal Protector

- Self resetting thermal detector on J-box deactivates fixture if overheating occurs due to improper lamping or mis-applied insulation.
- Install varied detectors according to input voltages.

#### \* Listing

- UL, c-UL listed for damp location.
- UL, c-UL listed for feed through.

### Trims



TM-249R-HC

**TM-249R**  
**TM-249RF**  
Clear Reflector  
w/ Regressed Lens  
Metal Halide T4.5 lamps

White Metal Trim Ring  
O.D : 6-1/16"  
\*Symbol (RF) is for Self-flange



TM-246B-WH

**TM-246B**  
Baffle w/ Fresnel Lens  
Metal Halide T4.5 lamps

White Metal Trim Ring  
O.D : 6-1/16"



TM-248-HC

**TM-248**  
Clear Reflector  
w/ Frosted Drop Lens

White Metal Trim Ring  
O.D : 6-1/16"

### Ordering Information

Housing	Ballast	Lamp	Voltage	Beam Angle
DL-4400TH	E : Electronic	39 : 39W 70 : 70W	-Blank : 120V -27 : 277V	-S : Pin Spot (10 degree) -N : Narrow Spot beam (12 degree) -M : Medium Spread beam (25 degree) -W : Wide Flood (46 degree)

Example : DL-4400TH-E70

Example : TM-246B-BK-WH-S